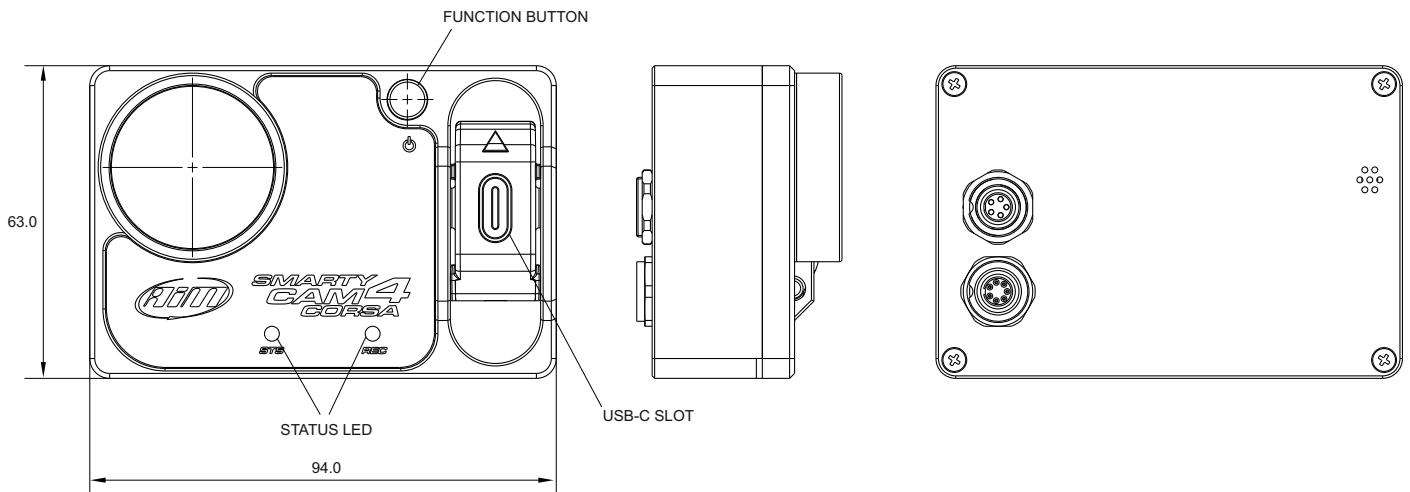
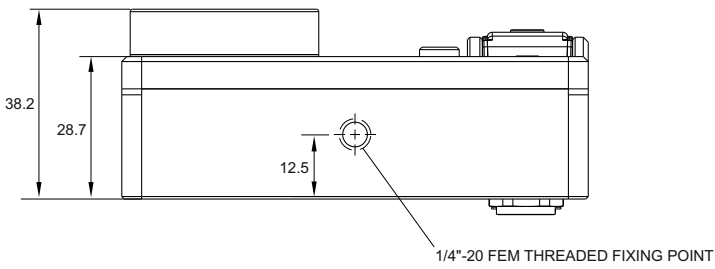




SmartyCam 4 Corsa

On-board camera

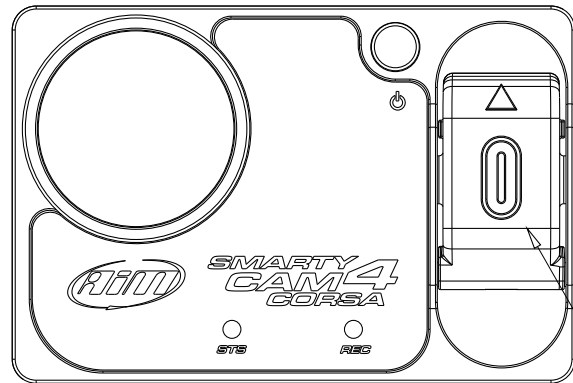
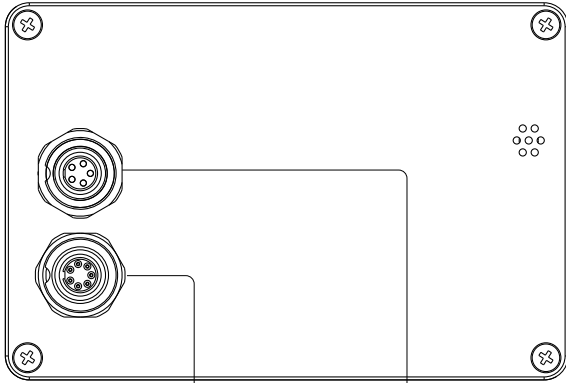




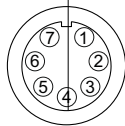
SmartyCam 4 Corsa

On-board camera

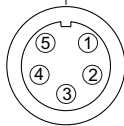
Pinout



USB - C
SLOT



Binder 7 pins female
connector - pinout
external view



Binder 5 pins female
connector - pinout
external view

ECU-MIC	
1	ECU CAN+
2	GND
3	+Vbout
4	ECU CAN-
5	+Vbext
6	Ext Mic-
7	Ext Mic+

EXP	
1	AIM CAN+
2	GND
3	+Vbout
4	AIM CAN-
5	+Vbext



SmartyCam 4 Corsa

On-board camera

Technical characteristics

Video format	H.264 1,920 x1,080 pixels @ 30/60 fps
Lens	Low distortion lens 85° - 110°
Sensor	Sony 12 MP CMOS
Stabilizer	LSI Sony for enhanced features
Connection	USB - Wi-Fi - Bluetooth
Streaming	Via USB or Wi-Fi
Internal battery	Rechargeable LiPo battery
External power	9-15 Volt
Supported memory	USB-C Card up to 2 TB
Connectors	2 Binder 712 female, 1 USB-C
Temperatures working range	-10°C/+50°C
Auto Power ON/OFF	Yes
Auto Start/Stop Recording	Yes
Body	Anodized Aluminum
Dimensions	94 x 63 x 28.7 mm
Weight	260 g, battery included
RaceStudio 3 app & software	Yes
Waterproof	IP65