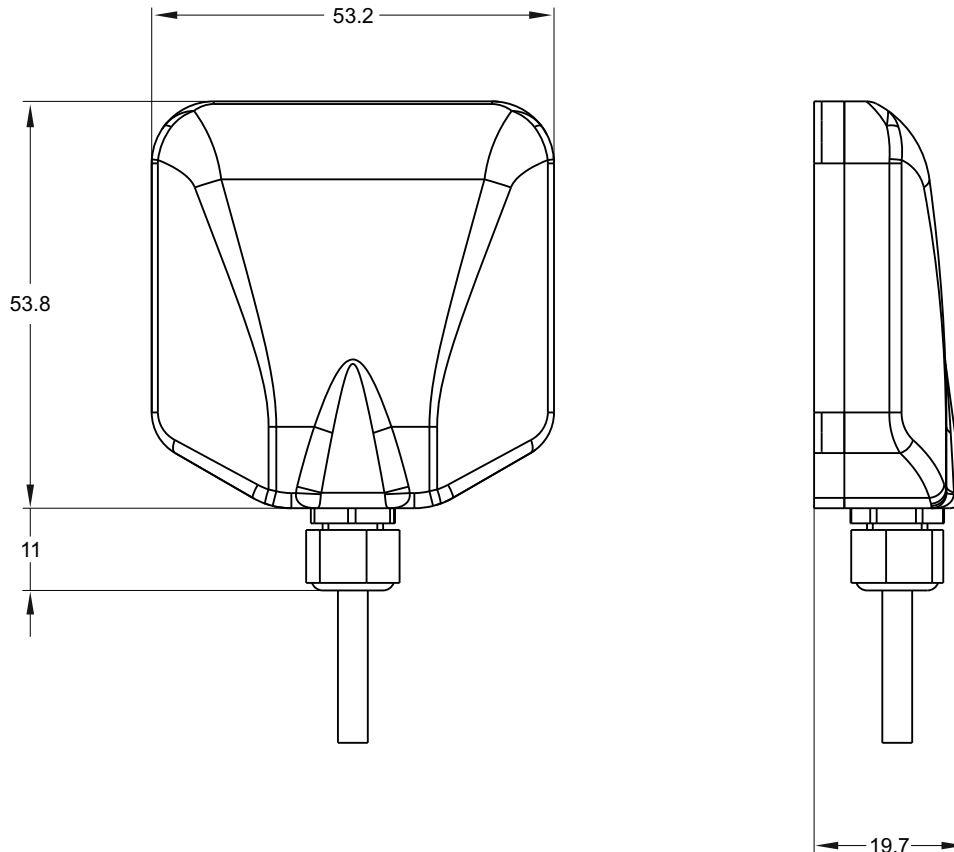




AiM GPS09c

Expansion





AiM GPS09c

Expansion

Technical specifications

GPS	25 Hz
External power	5÷15 V
Connection	AiM CAN
Dimensions	53.2 x 53.8 x 19.7 mm
Weight	60.5 g
Waterproof	IP67

In the box

GPS09c with cable (see the lengths below)

Compatibility

EVO4S, EVO5, MXL2, MXG , MXS, MX 1.3 Series, MX 1.3 Strada Series, MXK10, MK2E, SmartyCam 3 Series, PDM08/32, Solo 2 DL

Part numbers

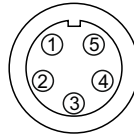
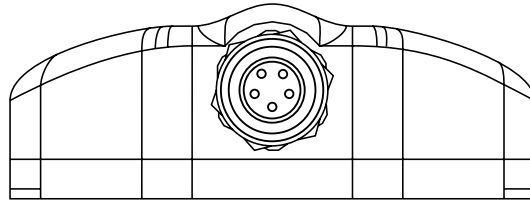
X40GPS090050	GPS09c with 50 cm length cable
X40GPS090130	GPS09c with 1.3 m length cable
X40GPS090200	GPS09c with 2 m length cable
X40GPS090400	GPS09c with 4 m length cable
X40GPS09R200	GPS09c Roof version with 2 m length cable
X40GPS09R400	GPS09c Roof version with 4 m length cable



AiM GPS09c

Expansion

Pinout



5 pins Binder 712
male connector pinout

1	CAN +
2	GND
3	+Vb
4	CAN-
5	Vb ext